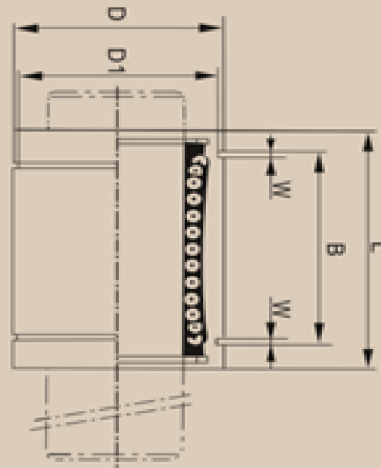
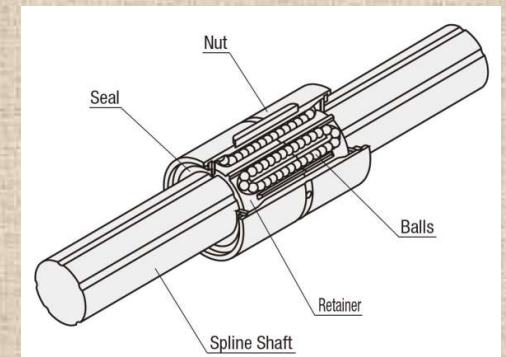


GERMAN PRECISION



LINEAR BEARING

PRECISION GERMAN



WWW.SMBEARING-EU.DE

WWW.SMBEARING-EU.DE

Bearing number	Principal dimensions mm		
	d	D	B
LM 6 L	6	12	35
LM 8 L	8	15	45
LM 10 L	10	19	55
LM 12 L	12	21	57
LM 13 L	13	23	61
LM 16 L	16	28	70
LM 20 L	20	32	80
LM 25 L	25	40	112
LM 30 L	30	45	123
LM 35 L	35	52	135
LM 40 L	40	60	151
LM 50 L	50	80	192
LM 60 L	60	90	209
KB 8 L	8	16	46
KB 10 L	10	19	55
KB 12 L	12	22	61
KB 16 L	16	26	68
KB 20 L	20	32	80
KB 25 L	25	40	112
KB 30 L	30	47	123
KB 40 L	40	62	151
KB 50 L	50	75	192
KB 60 L	60	90	209
SW 4 L	6.35	12.7	34.925
SW 6 L	9.525	15.875	40.481
SW 8 L	12.7	22.225	60.325
SW 10 L	15.875	28.575	71.438
SW 12 L	19.05	31.75	78.581
SW 16 L	25.4	39.688	108.744
SW 20 L	31.75	50.8	127
SW 24 L	38.10	60.325	144.463
SW 32 L	50.8	76.20	196.85
KH 0824	8	15	24
KH 1026	10	17	26
KH 1228	12	19	28
KH 1428	14	21	28
KH 1630	16	24	30
KH 2030	20	28	30
KH 2540	25	35	40
KH 3050	30	40	50
KH 4060	40	52	60
KH 5070	50	62	70

Bearing number	Principal dimensions mm		
	d	D	B
LM 3	3	7	10
LM 4	4	8	12
LM 5	5	10	15
LM 6	6	12	19
LM 8 S	8	15	17
LM 8	8	15	24
LM 10	10	19	29
LM 12	12	21	30
LM 13	13	23	32
LM 16	16	28	37
LM 20	20	32	42
LM 25	25	40	59
LM 30	30	45	64
LM 35	35	52	70
LM 40	40	60	80
LM 50	50	80	100
LM 60	60	90	110
KB 3	3	7	10
KB 4	4	8	12
KB 5	5	12	22
KB 8	8	16	25
KB 10	10	19	29
KB 12	12	22	32
KB 16	16	26	36
KB 20	20	32	45
KB 25	25	40	58
KB 30	30	47	68
KB 40	40	62	80
KB 50	50	75	100
KB 60	60	90	125
SW 4	6.35	12.7	19.05
SW 6	9.525	15.875	22.225
SW 8	12.7	22.225	31.75
SW 10	15.875	28.575	38.10
SW 12	19.05	31.75	41.275
SW 16	25.4	39.688	57.15
SW 20	31.75	50.8	66.675
SW 24	38.10	60.325	76.20
SW 32	50.80	76.20	101.60

Linear bearing

Sizes range from 4 mm to 100 mm
 Size Interchangeable with industrial standards
 Low Coefficient of Friction
 Heat treated alloy steel shell
 Retainer for reduced noise
 Good temperature range: -20/+80°C (-4/+176F)
 Double Seals included standard

